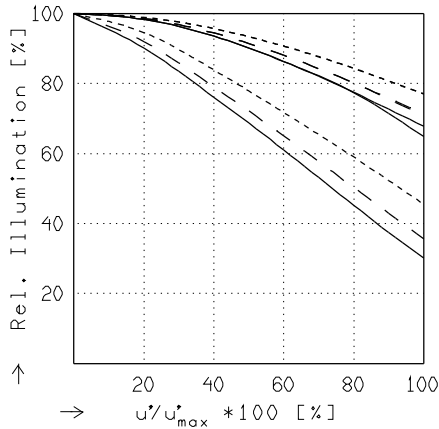
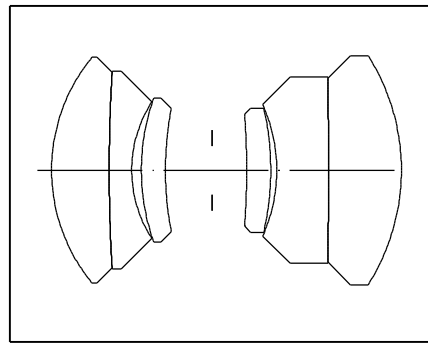


R4839.3 APO-CPN 4.5/90

$f' = 91.2 \text{ mm}$ $\beta_p = 1.014$
 $s_F = -67.5 \text{ mm}$ $s_{EP} = 22.4 \text{ mm}$
 $s_{F'} = 67.8 \text{ mm}$ $s_{AP} = -24.7 \text{ mm}$
 $HH' = -3.6 \text{ mm}$ $\Sigma d = 43.5 \text{ mm}$

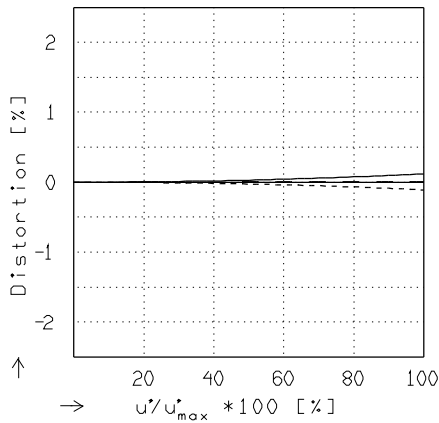


RELATIVE ILLUMINATION

The relative illumination is shown for the given focal distances or magnifications.

$f / 4.5$ $f / 8.0$ $f / 11.0$

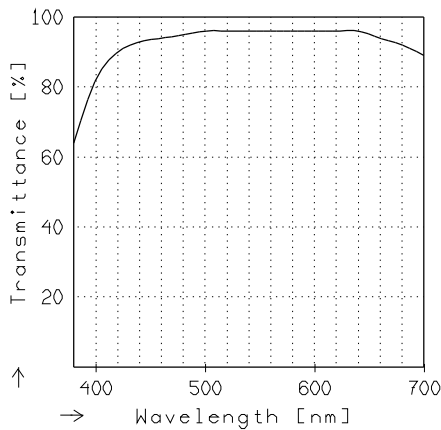
— $\beta' = -0.0833$ $u'_{max} = 44.0$ $00' = 1282.$
 - - $\beta' = -0.1667$ $u'_{max} = 43.9$ $00' = 741.$
 ···· $\beta' = -0.3330$ $u'_{max} = 43.9$ $00' = 483.$



DISTORTION

Distortion is shown for the given focal distances or magnifications. Positive values indicate pincushion distortion and negative values barrel distortion.

— $\beta' = -0.0833$ $u'_{max} = 43.9$ $00' = 1282.$
 - - $\beta' = -0.1667$ $u'_{max} = 43.9$ $00' = 741.$
 ···· $\beta' = -0.3330$ $u'_{max} = 43.9$ $00' = 483.$



TRANSMITTANCE

Relative spectral transmittance is shown with reference to wavelength.

Jos. Schneider Optische Werke GmbH
 Ringstrasse 132 55543 Bad Kreuznach Germany