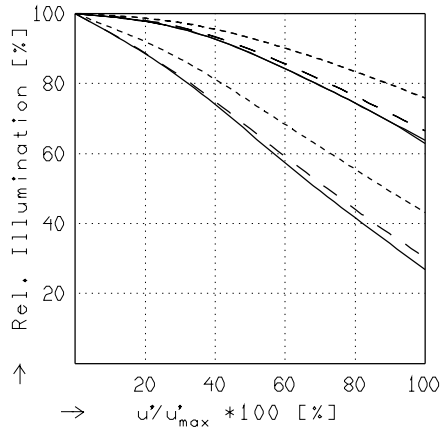
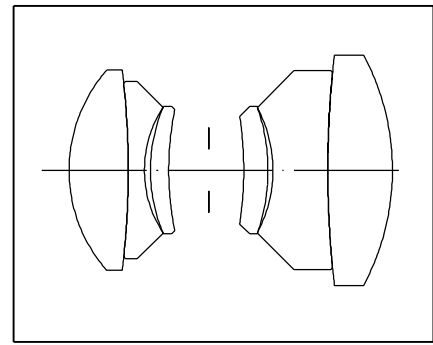


APO-DIGITAR 4/60

H

$f' = 59.9 \text{ mm}$ $\beta_p = 0.970$
 $s_F = -47.1 \text{ mm}$ $s_{EP} = 14.6 \text{ mm}$
 $s_{F'} = 40.8 \text{ mm}$ $s_{AP} = -17.3 \text{ mm}$
 $HH' = -1.9 \text{ mm}$ $\Sigma d = 30.0 \text{ mm}$

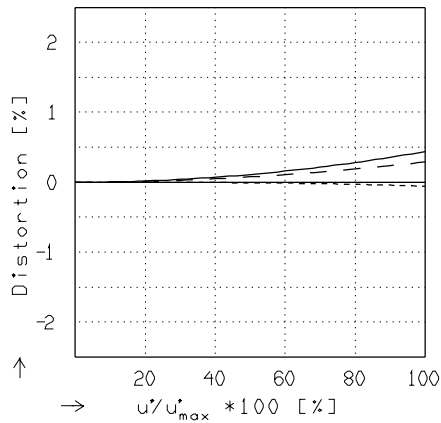


RELATIVE ILLUMINATION

The relative illumination is shown for the given focal distances or magnifications.

$f / 4.0$ $f / 8.0$ $f / 11.0$

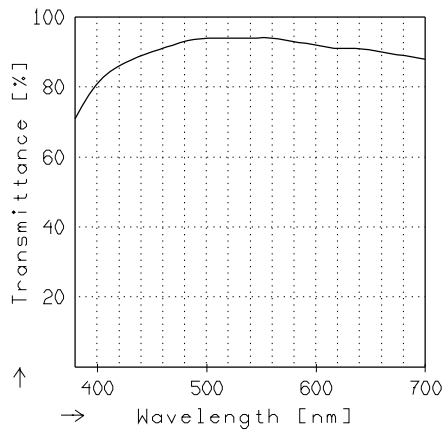
— $\beta' = -0.0500$ $u'_{max} = 30.1$ $00' = 1319.$
 - - $\beta' = -0.1000$ $u'_{max} = 30.1$ $00' = 723.$
 - · - $\beta' = -0.3333$ $u'_{max} = 30.0$ $00' = 318.$



DISTORTION

Distortion is shown for the given focal distances or magnifications. Positive values indicate pincushion distortion and negative values barrel distortion.

— $\beta' = -0.0500$ $u'_{max} = 30.0$ $00' = 1319.$
 - - $\beta' = -0.1000$ $u'_{max} = 30.0$ $00' = 723.$
 - · - $\beta' = -0.3333$ $u'_{max} = 30.0$ $00' = 318.$



TRANSMITTANCE

Relative spectral transmittance is shown with reference to wavelength.