

Neutral Density ND 102 - on request



ND filters reduce evenly the transmittance of light over the entire VIS spectrum. They decrease the brightness of an image without changing the depth of field (DoF). They attenuate light by absorbing a part of the energy of the VIS wavelength, without influence on the color balance. ND filters are used to control the intensity of light going through an optical system to avoid overexposure, blooming on imaging sensors and prevent damages on light sensitive measuring sensors.

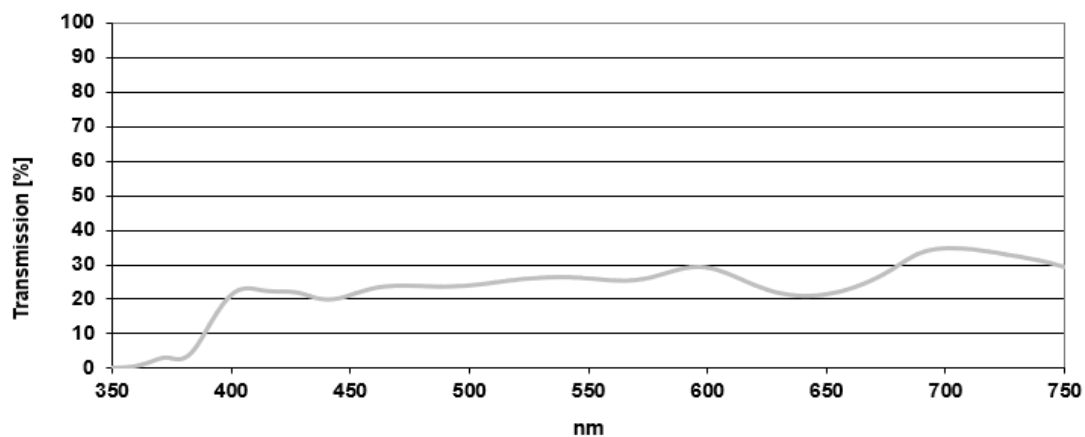


| Key features | Applications |
|--------------|--------------|
|--------------|--------------|

- | | |
|---|--|
| <ul style="list-style-type: none"> • Insensitive to angle of incidence • Decrease brightness without changing DoF • Stackable, combine ND-filters to achieve OD • Even attenuate avoid effects on color balance | <ul style="list-style-type: none"> • Welding • Measuring Instruments • R&D • Laser Measurement |
|---|--|

| Standard Products | | available on request | |
|-------------------|-------------|----------------------|-------------|
| Name | Description | Name | Description |
| ND 0.6 | OD 0.6 | ND 102 | OD 0.6 |
| ND 0.9 | OD 0.9 | ND 103 | OD 0.9 |
| ND 1.8 | OD 1.8 | ND 106 | OD 1.8 |
| ND 3.0 | OD 3.0 | ND 110 | OD 3.0 |

Neutral Density ND 102 - on request



| Technical specifications | according to ISO 10110 |
|--------------------------|------------------------|
| Optical density | 0.6 |
| Transmittance average | 25% |
| Glass thickness | 2.3 +/- 0.05 mm |

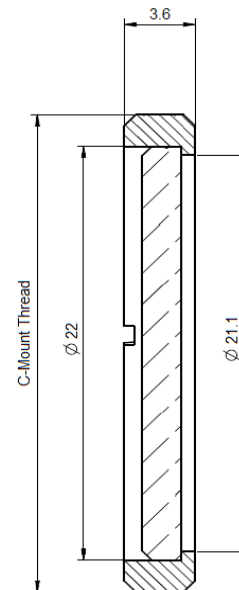
C-Mount

Defined by 1" (25.4mm) diameter and 32 turns per inch pitch, the C-Mount thread is a popular camera mount in machine vision industry. Schneider-Kreuznach offers a CMT mount option for most filters. So filters fit in any C-Mount based mechanics, including the C-Mount thread of a camera. The extension of the back flange distance has to be considered for imaging applications.

| Key features | Applications |
|--------------|--------------|
|--------------|--------------|

- | | |
|---|---|
| <ul style="list-style-type: none"> • Fits in C-Mount cameras • Robust • Black anodized brass | <ul style="list-style-type: none"> • Mounted in C-Mount camera threads • In vision systems based on C-Mount mechanics |
|---|---|

| Thread | Diameter | Clear Aperture | Thickness |
|---------|----------|----------------|-----------|
| 1" - 32 | 25.4 mm | 21.1 mm | 3.6 mm |



SH-Mount

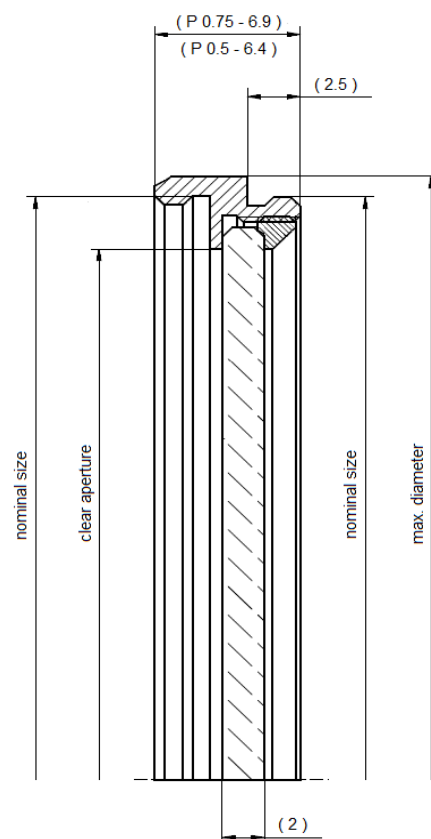
SH-Mount is the standard thread mount when high flexibility and stability is required. The filter glass is held in place by a retainer ring. SH-Mounts are extremely robust, have a female and male M-thread and can be stacked if several filters must be combined.

| Key features | Applications |
|--------------|--------------|
|--------------|--------------|

- | | |
|---|---|
| <ul style="list-style-type: none"> • Stackable • Robust • Black anodized brass | <ul style="list-style-type: none"> • Mounted on lenses • Mounted on measurement instruments |
|---|---|

| Thread | Diameter | Clear Aperture | Thickness |
|-------------|----------|----------------|-----------|
| M 25.5x0.5 | 29.5 mm | 20.8mm | 6.4 mm |
| M 27.0x0.5 | 31.0 mm | 21.8 mm | 6.4 mm |
| M 35.5x0.5 | 39.5 mm | 29.8 mm | 6.4 mm |
| M 37.0x0.75 | 41.0 mm | 31.8 mm | 6.9 mm |
| M 39.0x0.5 | 43.0 mm | 33.8 mm | 6.4 mm |
| M 40.5x0.5 | 44.5 mm | 35.8 mm | 6.4 mm |
| M 43.0x0.75 | 47.0 mm | 37.8 mm | 6.9 mm |
| M 46.0x0.75 | 50.0 mm | 40.8 mm | 6.9 mm |
| M 49.0x0.75 | 53.0 mm | 43.8 mm | 6.9 mm |
| M 52.0x0.75 | 56.0 mm | 46.8 mm | 6.9 mm |
| M 55.0x0.75 | 59.0 mm | 49.8 mm | 6.9 mm |
| M 58.0x0.75 | 62.0 mm | 52.8 mm | 6.9 mm |
| M 62.0x0.75 | 66.0 mm | 56.8 mm | 6.9 mm |
| M 67.0x0.75 | 71.0 mm | 61.8 mm | 6.9 mm |

UV/IR Cut 380 - 650 nm

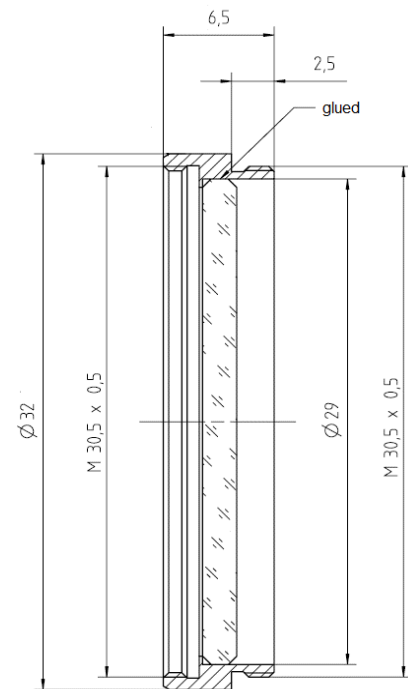


SN1-Mount

The SN1-Mount was designed for the popular M30.5x0.5 thread. With its high clear aperture, vignetting can be avoided even for wide angle applications. The filter is glued into the mount. So it is secured against vibrations when integrated into robots or production lines. It is ideal to be used in automated fabrication. SN1-Mounts have a male and female M-thread and can be stacked if several filters must be combined.

| Key features | Applications |
|--|---|
| <ul style="list-style-type: none"> • Maximum clear aperture • No vignetting • Stackable • Robust • Black anodized brass | <ul style="list-style-type: none"> • Mounted on lenses • Mounted on measurement instruments |

| Thread | Diameter | Clear Aperture | Thickness |
|------------|----------|----------------|-----------|
| M 30.5x0.5 | 32 mm | 28 mm | 6.5 mm |



Headquarters Europe

Jos. Schneider Optische Werke GmbH
Ringstraße 132
55543 Bad Kreuznach
+49 671 601 205
isales@schneiderkreuznach.com
www.schneiderkreuznach.com

Offices Worldwide

America

+1 800 645 7239 (East Coast)
+1 800 228 1254 (West Coast)
info@schneideroptics.com

Asia

+86 755 8832 1170
info@schneider-asiapacific.com